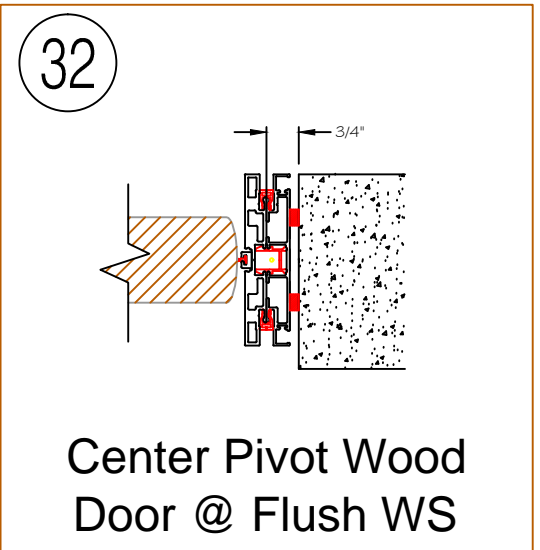
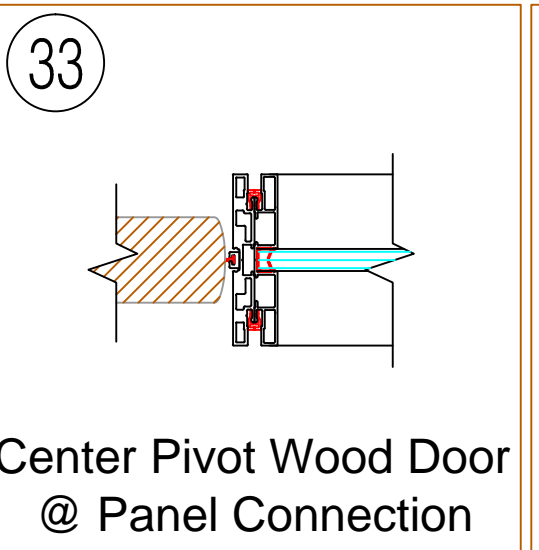


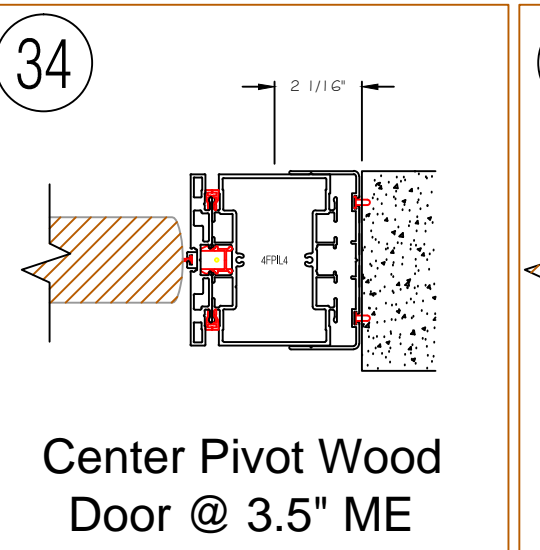
31
Panel to Center Pivot Wood Door @ Keeper



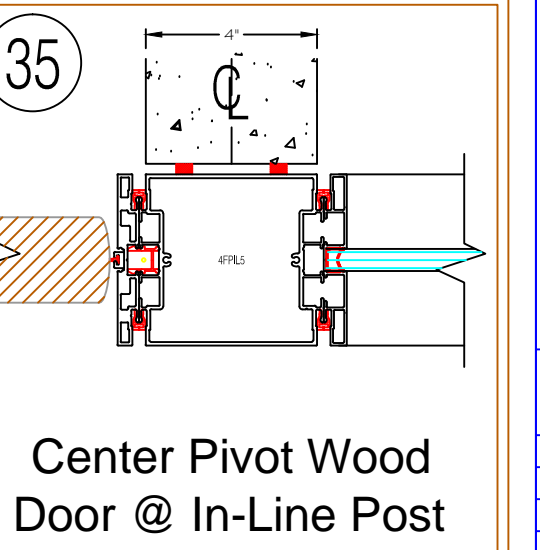
32
Center Pivot Wood Door @ Flush WS



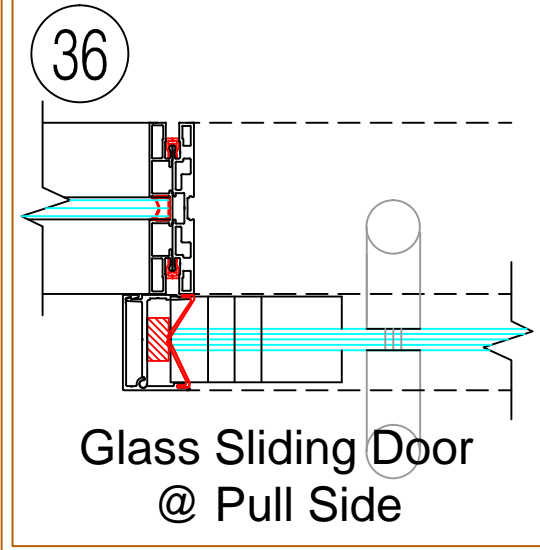
33
Center Pivot Wood Door @ Panel Connection



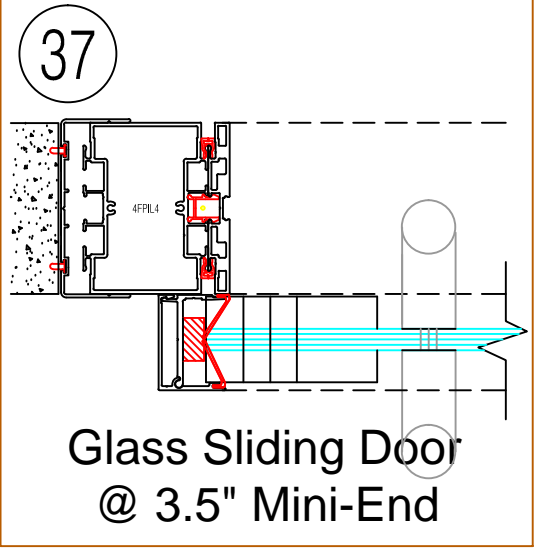
34
Center Pivot Wood Door @ 3.5" ME



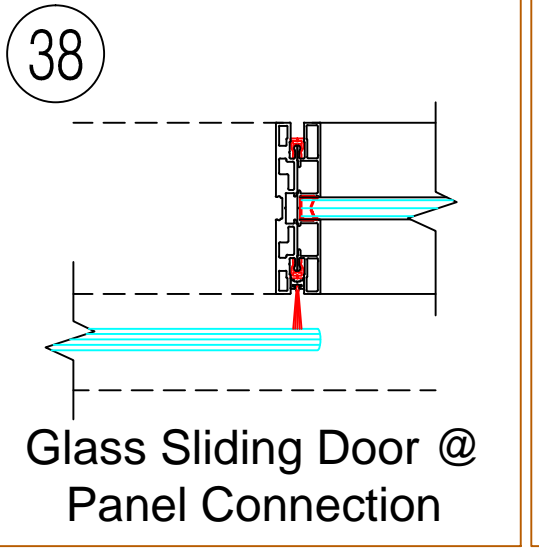
35
Center Pivot Wood Door @ In-Line Post



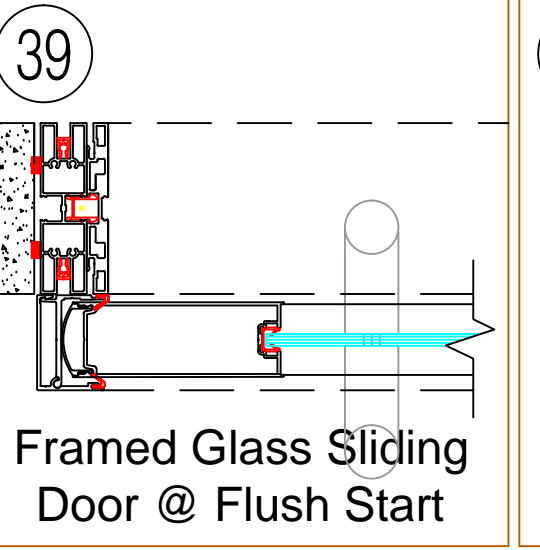
36
Glass Sliding Door @ Pull Side



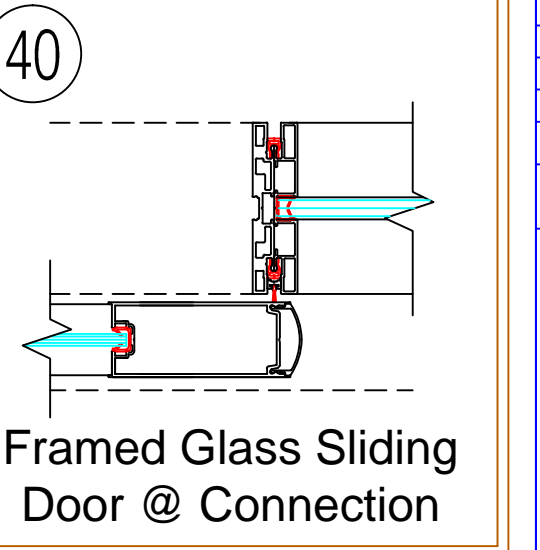
37
Glass Sliding Door @ 3.5" Mini-End



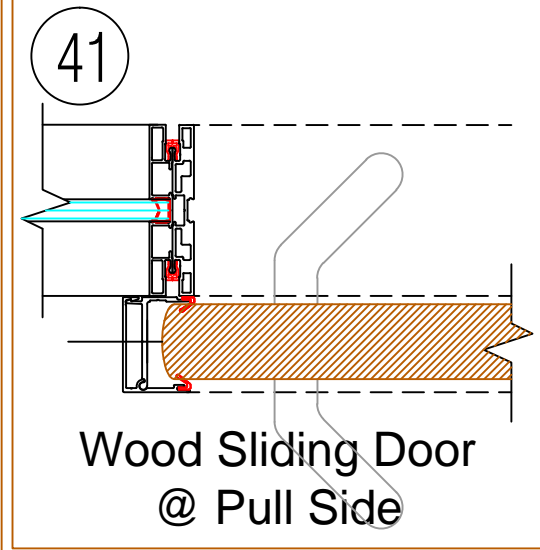
38
Glass Sliding Door @ Panel Connection



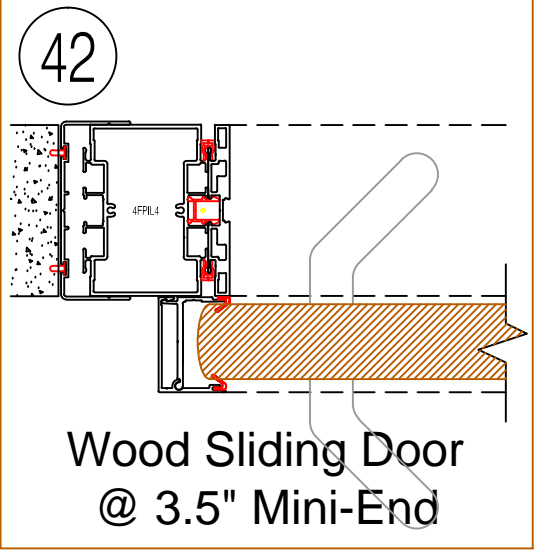
39
Framed Glass Sliding Door @ Flush Start



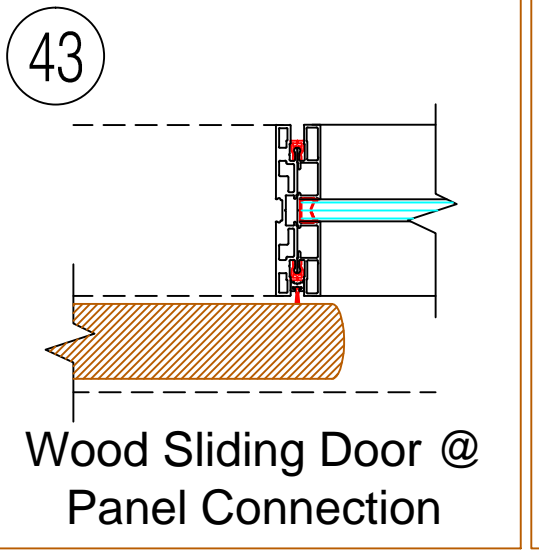
40
Framed Glass Sliding Door @ Connection



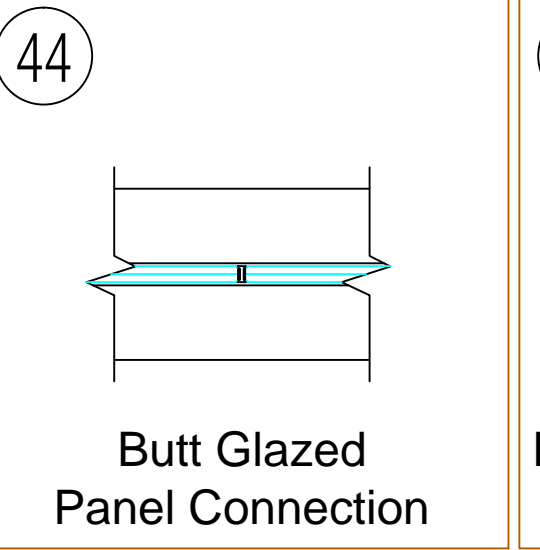
41
Wood Sliding Door @ Pull Side



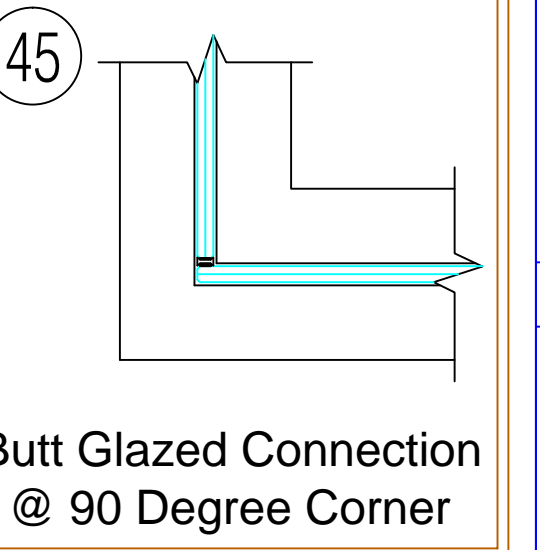
42
Wood Sliding Door @ 3.5" Mini-End



43
Wood Sliding Door @ Panel Connection



44
Butt Glazed Panel Connection



45
Butt Glazed Connection @ 90 Degree Corner

Please note: these shop drawings supercede any other reference to dimensions and represent the final dimensions to be used for production. Signing off indicates that these dimensions accurately represent (or will through hold to dimensions) actual field conditions. Whomever signs off on the end users behalf assumes full responsibility for their accuracy.

This Document is the property and copyright of Infinium Architectural Wall Systems, Inc. and shall not be reproduced without written consent of Infinium Architectural Wall Systems, Inc. This drawing is to be used for evaluation, bidding, or furniture installation only and should not be used for building construction.

8	
7	
6	
5	
4	
3	
2	
1	

NO.	DATE	ISSUE/REVISION
0		

Refine 1X Horizontal Sections
Details 31 thru 45

DRAWING TITLE:	Refine 1X Horizontal Sections
DATE:	
SCALE:	
AREA:	
PROJECT NO.:	
PROJECT LEADER:	
CAD DRAFTER:	
CHECKED BY:	
CAD FILE NAME:	