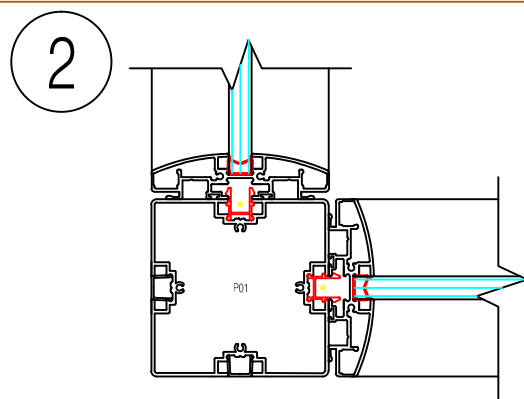
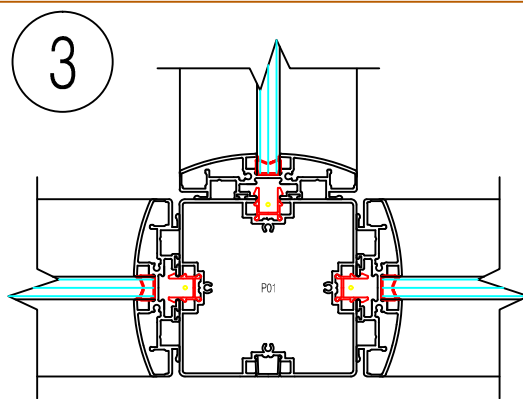


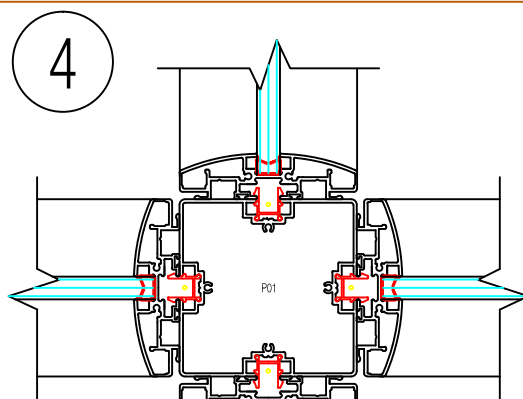
Panel Connection



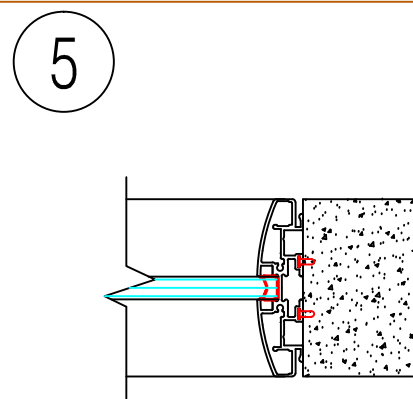
2-Way Post



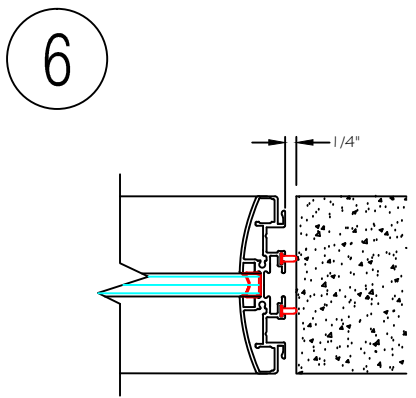
3-Way Post



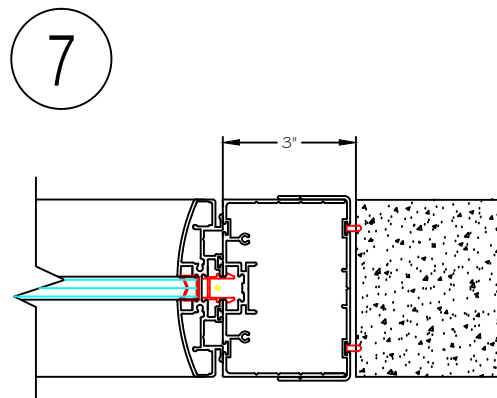
4-Way Post



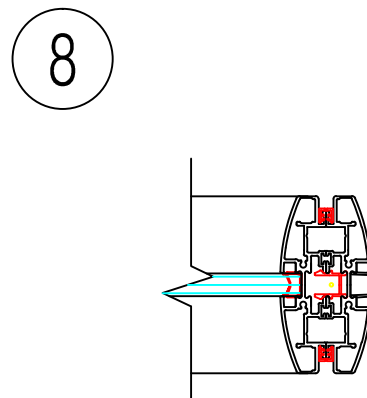
Flush Wall Start - Min



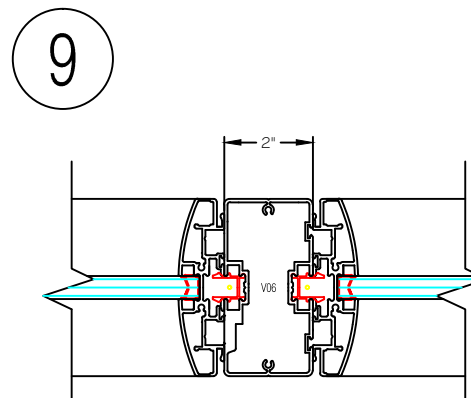
Flush Wall Start - Max



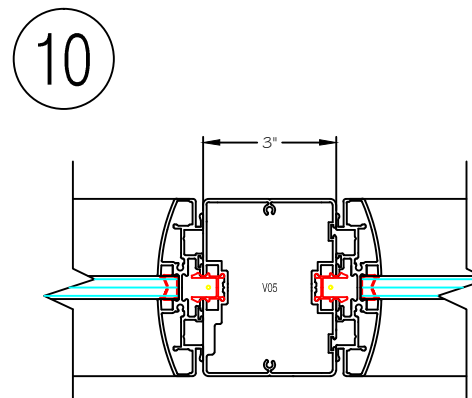
3" Mini-End



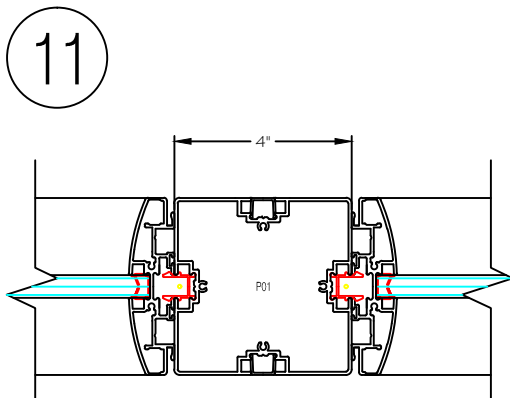
Finished End



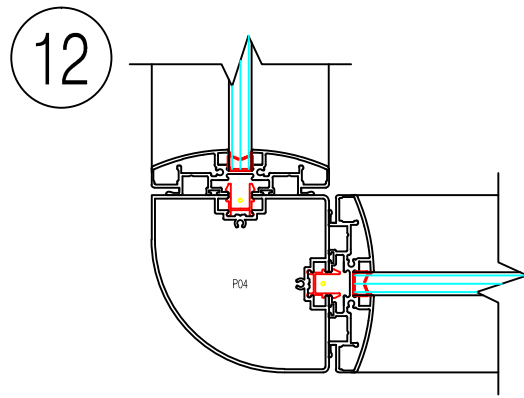
2" In-Line Post



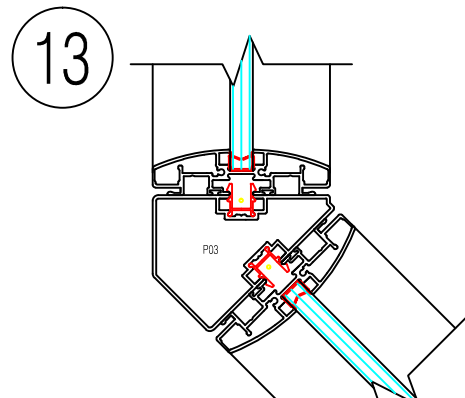
3" In-Line Post



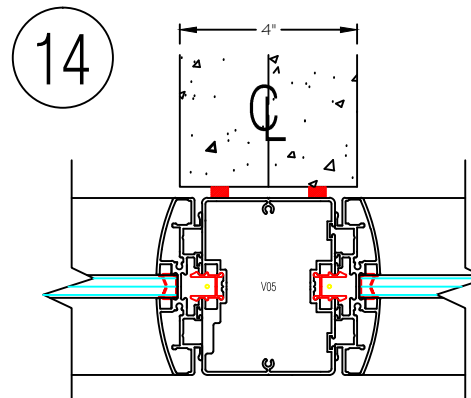
4" In-Line Post



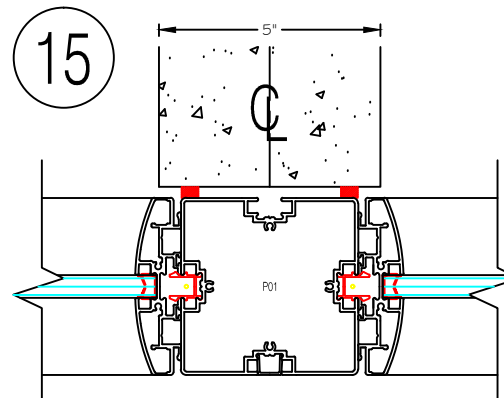
Radius 2-Way Post



135 Degree Post



3" In-Line Post at  
4" Drywall Bypass



4" In-Line Post at  
5" Drywall Bypass

Please note: these shop drawings supercede any other reference to dimensions and represent the final dimensions to be used for production. Signing off indicates that these dimensions accurately represent (or will through hold to dimensions) actual field conditions. Whomever signs off on the end users behalf assumes full responsibility for their accuracy.



6749 Eastland Road, Suite B  
Middleburg Heights, OH 44130  
P# 440-239-9000 F# 440-239-9002

This Document is the property and copyright of Infilum Architectural Wall Systems, Inc. and shall not be reproduced without written consent of Infilum Architectural Wall Systems, Inc. This drawing is to be used for evaluation, bidding, or furniture installation only and should not be used for building construction.

8		
7		
6		
5		
4		
3		
2		
1		

NO. DATE ISSUE/REVISION

CURRENT REVISION:

0

Axiom Horizontal Sections  
Details 1 thru 15

DRAWING TITLE:  
Axiom  
Horizontal Sections

DATE:  
SCALE:  
AREA:  
PROJECT NO:  
PROJECT LEADER:  
CAD DRAFTER:  
CHECKED BY:  
CAD FILE NAME:

DRAWING NO:  
1  
SHEET NO:  
1 of 3